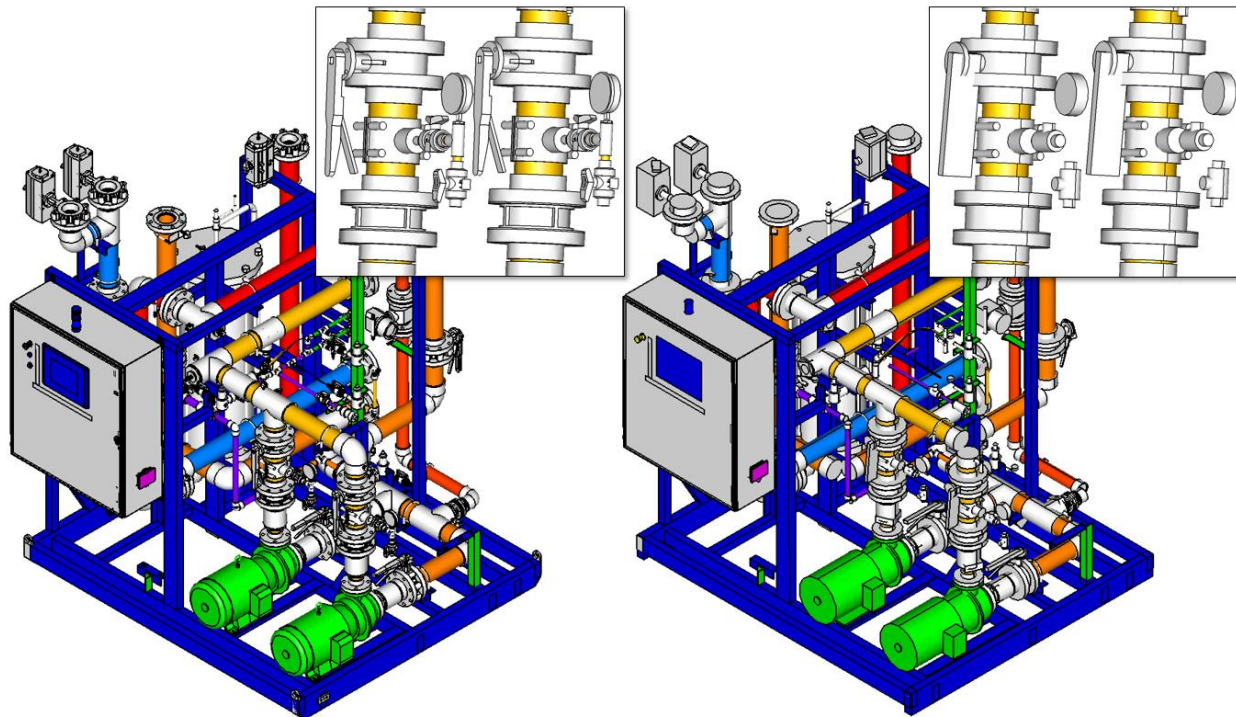


ITI NEWS - FOR IMMEDIATE RELEASE

International TechneGroup Limited (ITI) partners with Process Industry Solution Provider ITandFactory GmbH

Cambridge, UK, 2 February 2017 – International TechneGroup Limited (ITI) the global leader providing reliable [interoperability](#), [validation](#) and [migration](#) solutions for product data and related systems, and developers of the [CADfix](#) software, has teamed with [ITandFactory GmbH](#), creators of the integrated plant design and engineering data management solution, [CADISON®](#).

CADISON® solution is built around the object oriented technology with modular architecture enabling a model-based process for *P*PIM (intelligent & integrated plant information modeling). It provides flexibility to the users to import models (in different formats) for better integration. ITandFactory identified a requirement to simplify CAD models of large equipment installations before import into the CADISON design system. ITI quickly demonstrated that the [CADfix](#) translation, repair and simplification solution could address their immediate needs, and from there the partnership evolved. ITI enhanced their existing CADfix toolset to create a specialist [Process Plant Simplification Wizard](#), supported by a series of advanced interactive data reduction tools. The partnership will see ITandFactory offering the “CADISON Equipment Simplifier (powered by CADfix)” to their worldwide user base.



Original 14MB model (left) is reduced to 3MB (right) by CADfix, with an 86% face count reduction

Ajit Joshi, the Managing Director of ITandFactory, commented "Our focus at ITandFactory is to establish *P*PIM methodology (BIM for Plants) of CADISON, and adding CADfix simplification technology is a significant step towards helping achieve this goal. With this tool, customers can continue with plant design in CADISON independent of the CAD system used by their manufacturing departments." Our partnership with ITI has expanded our solution suite to include the CADfix simplification technology, which enables orders of magnitude in file size reduction, giving our users more manageable equipment models for integration with the CADISON plant design solution."



Contact: Margo Spurgeon
International TechneGroup Incorporated 5303 DuPont Circle
Phone: 513-576-3858 Milford, OH 45150
Email: margo.spurgeon@iti-global.com www.iti-global.com

“ITI was eager to work with ITandFactory to provide a solution,” stated Andy Chinn, ITI’s UK Commercial Director. “CADfix already had a suite of model simplification tools, so it was a natural fit to expand the technology to meet the demands of the CADISON customers. We presented the CADISON Equipment Simplifier solution at CADISON International Conference - 2016 event where it was very well received. We were pleased with the enthusiasm shown by the CADISON users and look forward to working with ITandFactory and their user community in the future.”

To learn more about how CADfix can be deployed to simplify models and dramatically reduce file sizes for large process and plant equipment installations, join the February 15 webinar:

WEBINAR: Large CAD Assembly Simplification for Plant & Process Design
February 15, 10:00 – 10:45am ET (16:00 Central European Time)
[REGISTER](#)

[Contact ITI](#) or your [local CADISON representative](#) for more information.

###

About International TechneGroup (ITI)

International TechneGroup Inc. began in 1983 with a mission to help manufacturers drive innovation and time to market by applying computer-aided product development to engineering problems. Today, ITI is the global leader providing reliable interoperability, validation and migration solutions for product data and related systems. Our customers recognize the value in having a trusted solution partner that provides more than just software. ITI solves complex product data interoperability problems so that the world’s leading manufacturers can focus on making great products. www.iti-global.com.

About ITandFactory, CADISON®

ITandFactory GmbH (a subsidiary of Neilsoft Group) has been developing process industry solutions for the last two decades based on object oriented technology. Their mission is to create and deliver the best integrated plant engineering solution and services to help customers improve project planning, reduce rework, reduce errors and complete projects faster-to-market. ITandFactory has developed a consistent system of data management which increases flexibility of the overall process and enables parallel collaboration - which improves division of labor (remote teams), accuracy, speed, and project success.